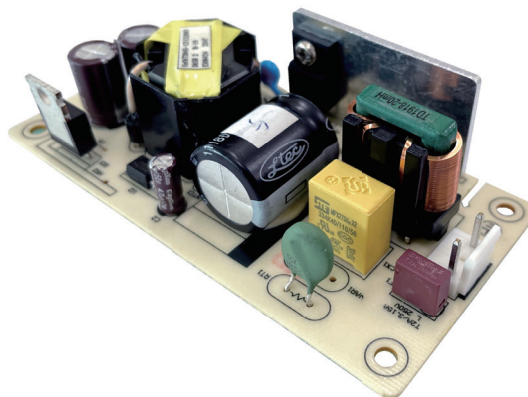


UxOYT 36W Series

Home/I.C.T. - Open Frame
Standard Product



▲ UxOYT3036 Series



■ Please contact our sales department for safety standard of each model.



Model Name Definition

UxOYT 3036

x : Depend on Safety Standard

- H 61558-1/60335-1
- N 62368-1/60065-1/60950-1

Product Highlights

- Stability
- Energy and High Efficiency
- PCB Size 2" × 4"(inch)
- Appendix 8 of PSE : comply with dusty requirement
- Suitable for devices with built-in power supply

Efficiency

- Energy Efficiency Level VI (ErP / DoE)
- Meet COMMISSION REGULATION(EU) 2019/1782
- Meet DOE 10 CFR part 429 and 430

Protection

- Short Circuit Protection
- Over Voltage Protection
- Over Current Protection
- Over Temperature Protection (optional)

Emissions

- FCC
 - FCC Part15-B
- CE
 - EN(CISPR)55032-B
 - EN(CISPR)55014-B
- BS EN 55032
- BS EN55014-1

Safety Standard

- 62368-1
- 61558-1
- 60335-1
- PSE 別表第八
100V 基準に準拠

Immunity

- EN55035
- BS EN 55035
- EN55014-2
- BS EN55014-2

The above specifications include the following test standards

- ✓ EN61000-4-2
- ✓ EN61000-4-3
- ✓ EN61000-4-4
- ✓ EN61000-4-5
- ✓ EN61000-4-6
- ✓ EN61000-4-8
- ✓ EN61000-4-11

Electrical Spec

Input					
Description	Min.	Typ.	Max.	Units	Comment
Voltage	90	100~240	264	Vac	
Frequency	47	50/60	63	Hz	

Environmental					
Description	Min.	Typ.	Max.	Units	Comment
Operating Temperature	0	-	50	°C	Free Convection,Sea level
Storage Temperature	-20	-	65	°C	Free Convection,Sea level
Operating Humidity	5	-	95	%RH	No Condensing
Storage Humidity	5	-	95	%RH	No Condensing

Typical model list

Output Port	Model Name	DC Output Voltage	DC Output Current	Output Voltage Precision	Ripple	Noise	Option / Remark
CN21	UxOYT3036-120030SA	12.0V	3.0A	±5%	240mV	240mV	
	UxOYT3036-150024SA	15.0V	2.4A	±5%	240mV	240mV	
	UxOYT3036-240015SA	24.0V	1.5A	±5%	300mV	300mV	
	UxOYT3036-540600SA	54.0V	0.6A	±5%	300mV	300mV	

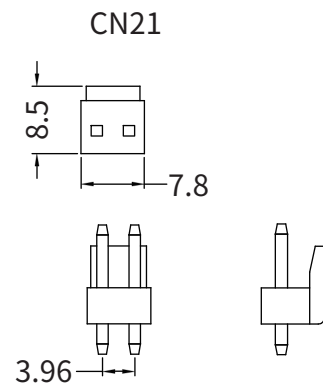
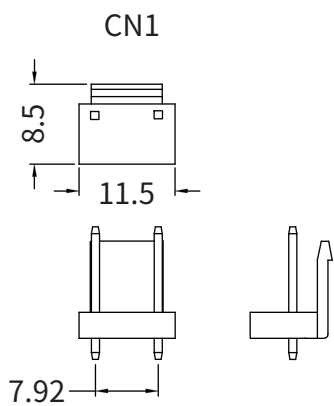
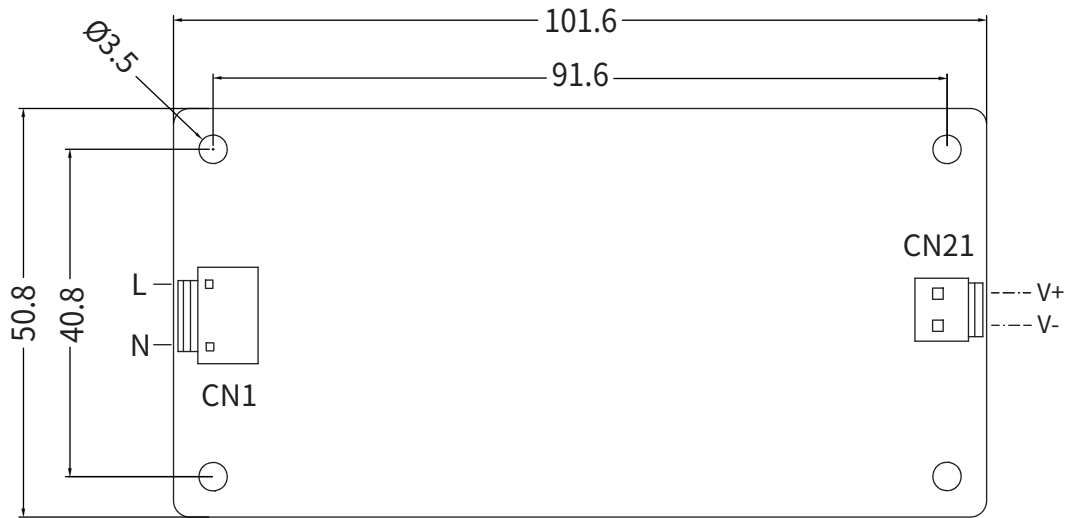
■ Measurement Condition

1. Measurements shall be made with an oscilloscope with 20MHz bandwidth.

2. Outputs shall be bypassed at the connector with a 0.1uF ceramic disk capacitor and a 10uF electrolytic capacitor to simulate system loading.

Mechanical Spec

TOLERANCE: ±0.5
Unit:mm



CN1

PIN NUMBER	INPUT
1	AC(N)
2	
3	AC(L)
CN1 : INPUT CONNECT Specifications are equivalent to models of JST B3P-VH	

CN21

PIN NUMBER	OUTPUT
1	V+
2	V-
CN21 : OUTPUT CONNECT Specifications are equivalent to models of JST B2P-VH	

■ Please contact our sales department for details of each model ■