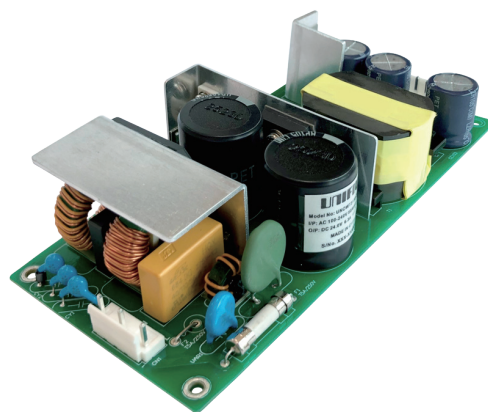


UxOWT 150W Series

Open Frame Switching Power Supply
Compact 3" × 6.3"



▲ UxOWT3150 Series



■ Please contact our sales department for safety standard of each model.



Model Name Definition

UxOWT 150

x : Depend on Safety Standard

- A 60065-1
- O 60335-1
- I 60950-1
- H 61558-1
- N 62368-1

Product Highlights

- Stability
- Energy and High Efficiency
- Small Size
- Flexibility
- Meet Complies with IEC61000-3-2
- Full Range Input Voltage (90Vac~264Vac)
- Suit computer device, portable HDD, small house hold equipment
- Appendix 8 of PSE : Comply with Dusty Requirement.

Protection

- Short Circuit Protection
- Over Voltage Protection
- Over Current Protection
- Brown In and Brown Out Protection

Safety Standard

- 62368-1
- 61558-1
- 60335-1
- PSE 別表第八 100V 基準に準拠

Efficiency

- Up to 88%

Emissions

- FCC
 - FCC Part15-B
- CE
 - EN(CISPR)55032-B
 - EN(CISPR)55014-B
- VCCI-B

Immunity

- EN55035
 - EN55014-2
- The above specifications include the following test standards
- ✓ EN61000-4-2
 - ✓ EN61000-4-3
 - ✓ EN61000-4-4
 - ✓ EN61000-4-5
 - ✓ EN61000-4-6
 - ✓ EN61000-4-8
 - ✓ EN61000-4-11

Electrical Spec

Input				
Description	Min.	Typ.	Max.	Units
Voltage	90	100~240	264	Vac
Frequency	47	50/60	63	Hz

Environmental					
Description	Min.	Typ.	Max.	Units	Comment
Operating Temperature	0	-	50	°C	Free Convection,Sea Level
Storage Temperature	-20	-	65	°C	Free Convection,Sea Level
Operating Humidity	5	-	95	%RH	No Condensing
Storage Humidity	5	-	95	%RH	No Condensing

Typical model list

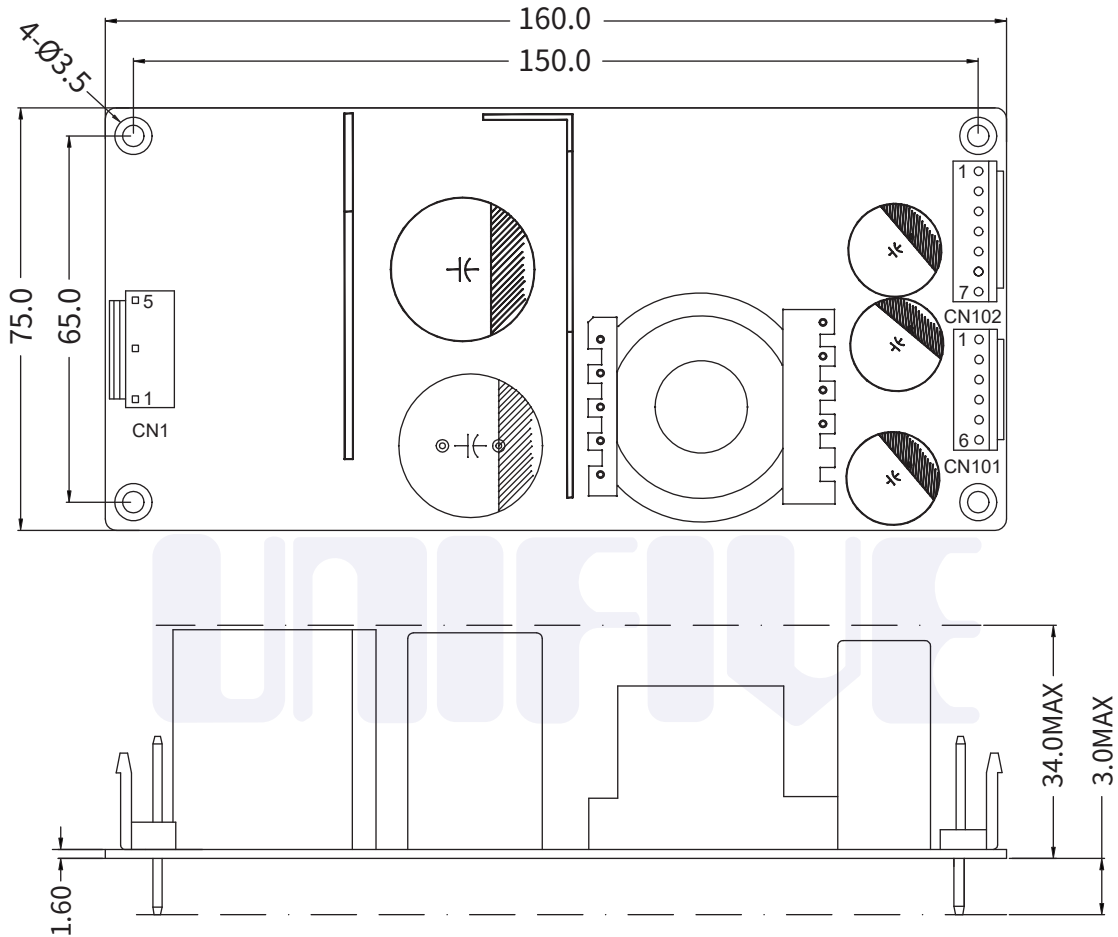
Model Name	Output Port	DC Output Voltage	DC Output Current	Output Voltage Precision	Ripple	Noise
UxOWT3150-120125SA	CON101 (+V) CON102 (-V)	12.0V	12.5A	±5%	120mV	240mV
UxOWT3150-240063SA		24.0V	6.3A	±5%	240mV	480mV
UxOWT3150-360041SA		36.0V	4.16A	±5%	360mV	480mV
UxOWT3150-480031SA		48.0V	3.13A	±5%	480mV	480mV

■ Measurement Condition

1. Measurements shall be made with an oscilloscope with 20MHz bandwidth.
2. Outputs shall be bypassed at the connector with a 0.1uF ceramic disk capacitor and a 10uF electrolytic capacitor to simulate system loading.

Mechanical Spec

TOLERANCE: ±0.5
Unit:mm



CN1

PIN NUMBER	INPUT
1	AC(L)
2	
3	AC(N)
4	
5	FG
CON1 : INPUT CONNECT MODEL NO : 5P-VH-B (THE EQUIVALENT)	

CON101

PIN NUMBER	OUTPUT
1-6	+V
CON101 : OUTPUT CONNECT MODEL NO : B6P-VH (THE EQUIVALENT)	

CON102

PIN NUMBER	OUTPUT
1-7	-V
CON102 : OUTPUT CONNECT MODEL NO : B7P-VH (THE EQUIVALENT)	

■ Please contact our sales department for details of each model ■