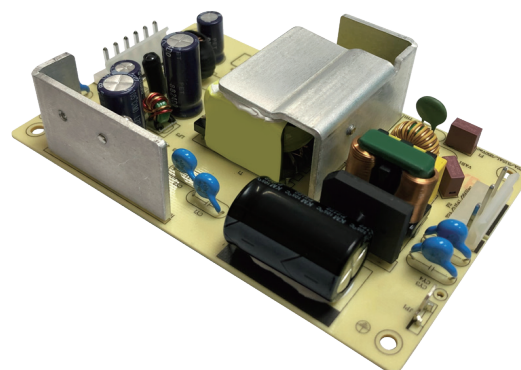


UxOBT 60W D Series

**Open Frame Switching Power Supply
Dual Output**



▲ UxOBT3060 D Series



■ Please contact our sales department for safety standard of each model.



Model Name Definition

UxOBT3060D

x : Depend on Safety Standard

- A 60065-1
- O 60335-1
- I 60950-1
- H 61558-1
- N 62368-1

Product Highlights

- Stability
- Energy and High Efficiency
- Flexibility
- Meet complies with IEC61000-3-2 Full range input voltage (90Vac~264Vac)
- Health Device
- Appendix 8 of PSE : Comply with Dusty Requirement.

Protection

- Short Circuit Protection
- Over Voltage Protection
- Over Current Protection
- Over Temperature Protection (optional)

Safety Standard

- 62368-1
- 61558-1
- 60335-1
- PSE 別表第八 100V 基準に準拠

Efficiency

- Up to 85%

Emissions

- FCC
 - FCC Part15-B
- CE
 - EN(CISPR)55032-B
 - EN(CISPR)55014-B
- VCCI-B

Immunity

- EN55035
- EN55014-2

The above specifications include the following test standards

- ✓ EN61000-4-2
- ✓ EN61000-4-3
- ✓ EN61000-4-4
- ✓ EN61000-4-5
- ✓ EN61000-4-6
- ✓ EN61000-4-8
- ✓ EN61000-4-11



Electrical Spec

Input					
Description	Min.	Typ.	Max.	Units	Comment
Voltage	90	100~240	264	Vac	
Frequency	47	50/60	63	Hz	

Environmental					
Description	Min.	Typ.	Max.	Units	Comment
Operating Temperature	0	-	50	°C	Free Convection,Sea Level
Storage Temperature	-20	-	65	°C	Free Convection,Sea Level
Operating Humidity	5	-	95	%RH	No Condensing
Storage Humidity	5	-	95	%RH	No Condensing

more detail on next page

Typical model list

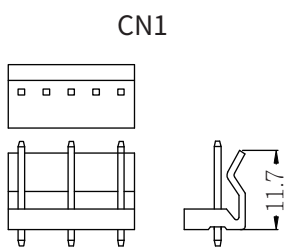
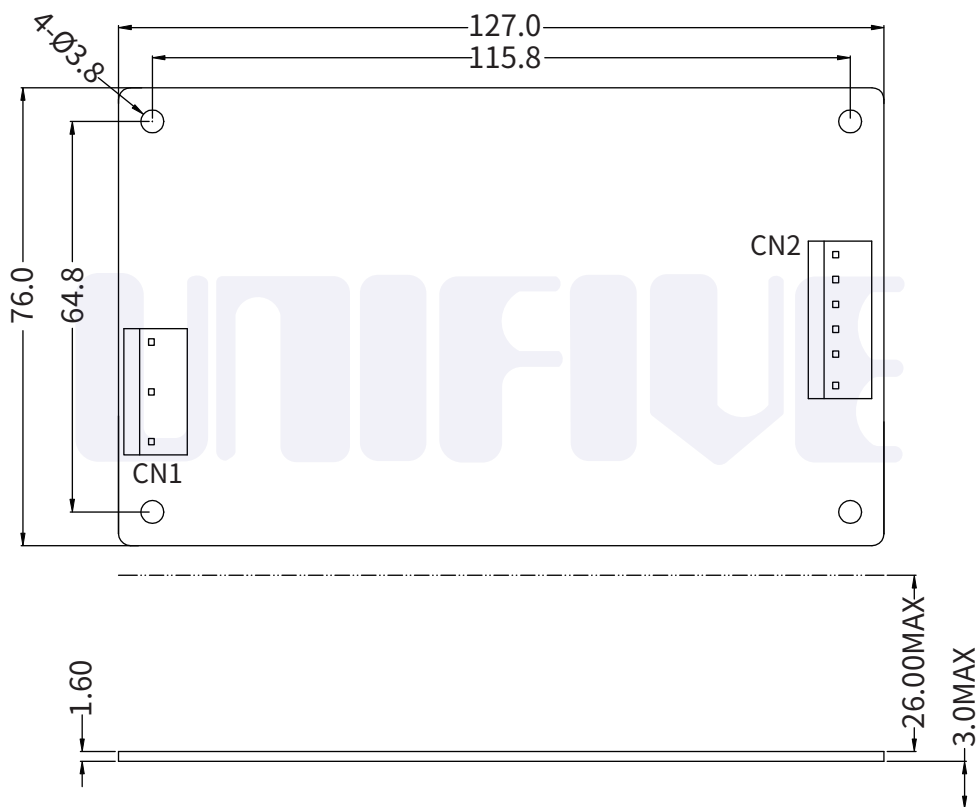
Model Name	Output Port	DC Output Voltage	DC Output Current	Output Voltage Precision	Ripple	Noise	Average Active Efficiency
UxOBT3060-120040DA	CN2	5.0V	2.5A	±5%	100mV	150mV	85.0%
		12.0V	4.0A	±5%	100mV	150mV	85.0%
UxOBT3060-240020DA		5.0V	2.5A	±5%	100mV	150mV	85.0%
		24.0V	2.0A	±5%	100mV	150mV	85.0%

■ Measurement Condition

1. Measurements shall be made with an oscilloscope with 20MHz bandwidth.
2. Outputs shall be bypassed at the connector with a 0.1uF ceramic disk capacitor and a 10uF electrolytic capacitor to simulate system loading.

Mechanical Spec

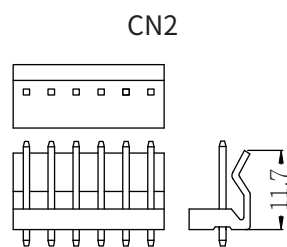
TOLERANCE: ±0.5
Unit:mm



CN1

PIN NUMBER	INPUT
1	AC(L)
2	AC(N)
3	AC(GND)

CN1 : INPUT CONNECT
MODEL NO : JSW A3961WV-5缺2P
(THE EQUIVALENT)



CN2

PIN NUMBER	OUTPUT	
1	V1+	V2+
2	V1-	V2-
3	V2+	V2-

CN2 : OUTPUT CONNECT
MODEL NO : JSW 6PIN A3961WV-6P
(THE EQUIVALENT)

■ Please contact our sales department for details of each model ■