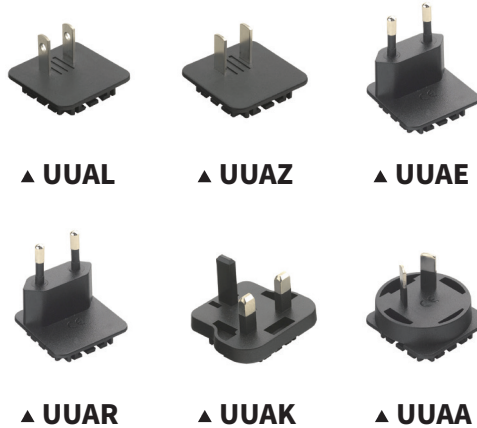
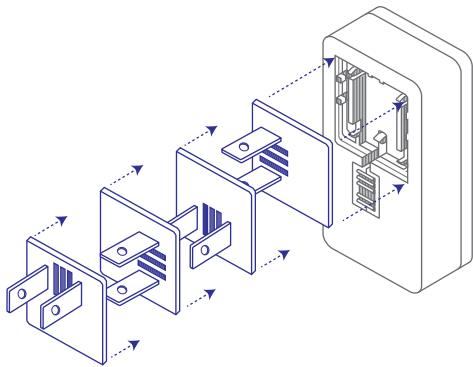


# UVX 36W Series

**I.C.T./AV AC/DC Adaptor**  
**AC Pin Interchangeable**  
**AC Pin designed for four directions use.**



■ Please contact our sales department for safety standard of each model.



## Product Highlights

- Stability
- Energy and High Efficiency
- Small size
- Applicable to different countries
- Mobility
- 4 directions: does not interfere with the use of adjacent sockets

## Efficiency

- Energy Efficiency Level VI ( ErP / DoE )
- Meet Commission Regulation(EU) 2019/1782
- Meet DOE 10 CFR part 429 and 430

## Protection

- Short Circuit Protection
- Over Voltage Protection
- Over Current Protection
- Over Temperature Protection (Optional)

## Emissions

- FCC
  - FCC Part15-B
- CE
  - EN(CISPR)55032-B
- VCCI-B
- BS EN 55032

## Safety Standard

- 62368-1
- PSE 別表第八 100V 基準に準拠

## Immunity

- EN55035
  - BS EN 55035
- The above specifications include the following test standards
- ✓ EN61000-4-2
  - ✓ EN61000-4-3
  - ✓ EN61000-4-4
  - ✓ EN61000-4-5
  - ✓ EN61000-4-6
  - ✓ EN61000-4-8
  - ✓ EN61000-4-11

# Electrical Spec

Input					
Description	Min.	Typ.	Max.	Units	Comment
Voltage	90	100~240	264	Vac	
Frequency	47	50/60	63	Hz	

Environmental					
Description	Min.	Typ.	Max.	Units	Comment
Operating Temperature	0	-	40	°C	Free Convection,Sea Level
Storage Temperature	-20	-	65	°C	Free Convection,Sea Level
Operating Humidity	5	-	95	%RH	No Condensing
Storage Humidity	5	-	95	%RH	No Condensing

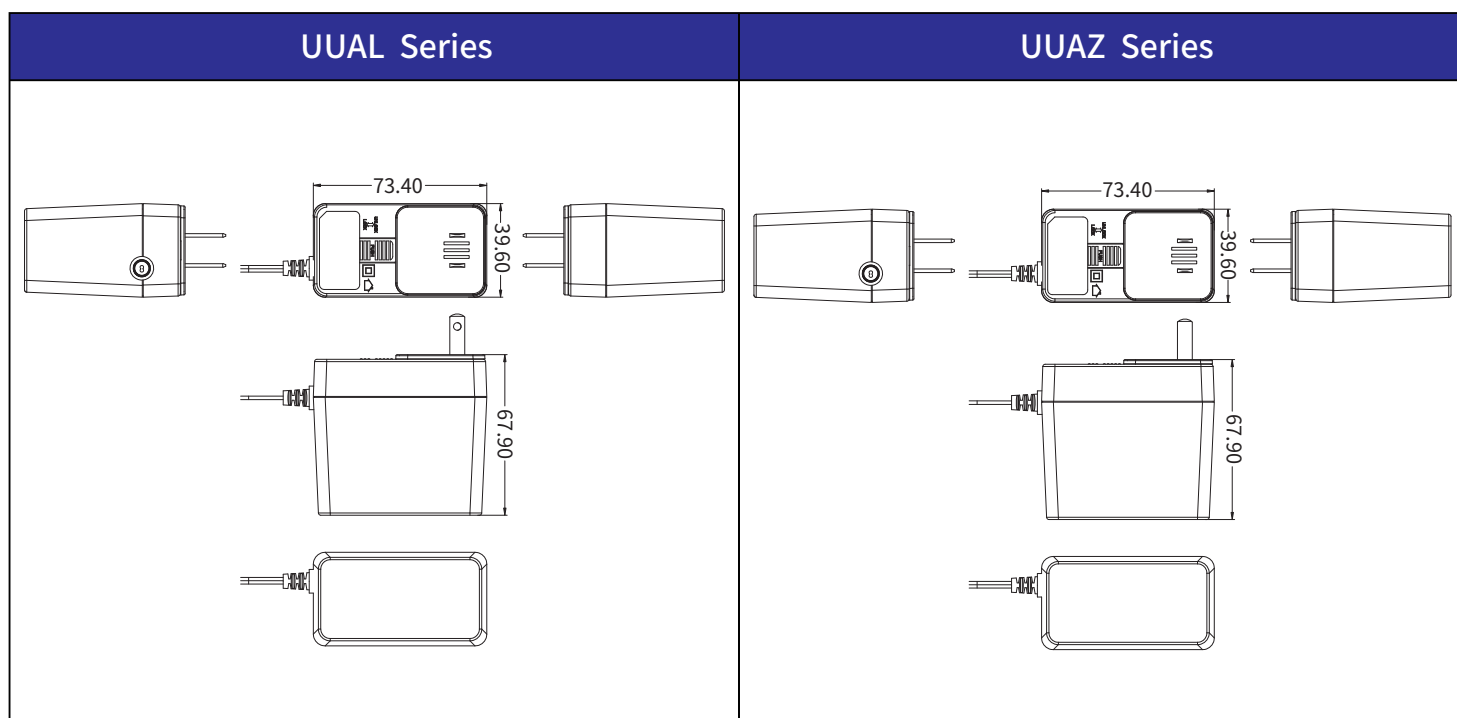
# Typical model list

Model Name	DC Output Voltage	DC Output Current	Output Voltage Precision	Ripple	Noise	Average Active Efficiency	No-Load Power Consumption	Option / Remark
UVX336-1230	12.0V	3.0A	±5%	240mV	240mV	87.40%	0.1W	
UVX336-1524	15.0V	2.4A	±5%	200mV	200mV	87.40%	0.1W	
UVX336-1820	18.0V	2.0A	±5%	200mV	240mV	87.40%	0.1W	
UVX336-2415	24.0V	1.5A	±5%	240mV	240mV	87.40%	0.1W	

**■ Measurement Condition**

1. Measurements shall be made with an oscilloscope with 20MHz bandwidth.
2. Outputs shall be bypassed at the connector with a 0.1uF ceramic disk capacitor and a 10uF electrolytic capacitor to simulate system loading.

# Mechanical Spec



Mechanical Spec

UUA Series	UUA Series
<p>Technical drawings of the UUA Series device. The top view shows a width of 73.40 and a depth of 39.60. The side view shows a height of 85.90. The drawings include front, top, and side views of the device and its mounting bracket.</p>	<p>Technical drawings of the UUA Series device. The top view shows a width of 73.40 and a depth of 39.60. The side view shows a height of 85.90. The drawings include front, top, and side views of the device and its mounting bracket.</p>
UUA Series	UUA Series
<p>Technical drawings of the UUA Series device. The top view shows a width of 74.90 and a depth of 49.40. The side view shows a height of 73.00. The drawings include front, top, and side views of the device and its mounting bracket.</p>	<p>Technical drawings of the UUA Series device. The top view shows a width of 73.40 and a depth of 39.60. The side view shows a height of 76.50. The drawings include front, top, and side views of the device and its mounting bracket.</p>

— the following blank —

■ Please contact our sales department for details of each model ■