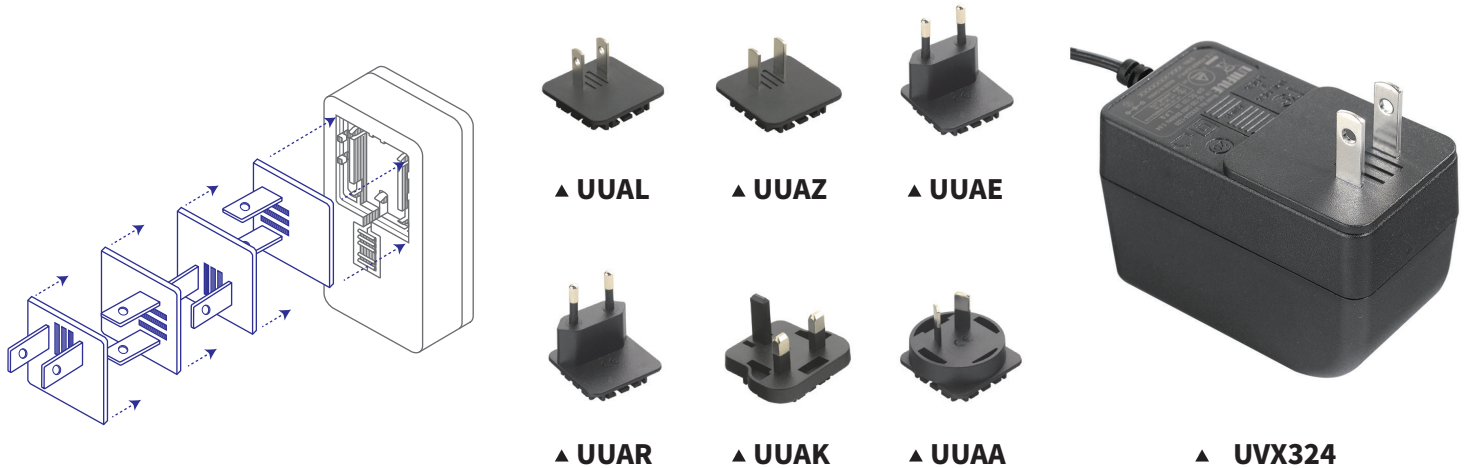


UVX 24W Series

AC Pin Interchangeable AC/DC Adaptor
AC Pin designed for four directions use.



■ Please contact our sales department for safety standard of each model.



Product Highlights

- Stability
- Small Size
- Cost Efficiency
- Suit Portable HDD, Portable GPS, PDA & Network Device

Protection

- Short Circuit Protection
- Over Voltage Protection
- Over Current Protection

Safety Standard

- 60950-1
- 62368-1
- PSE 別表第八 100V 基準に準拠

Efficiency

- Energy Efficiency Level VI (ErP / DoE)
- Meet COMMISSION REGULATION(EU) 2019/1782
- Meet DOE 10 CFR part 429 and 430

Emissions

- FCC Part15 Class B
- CE CISPR 32 EN55032
- VCCI Class B
- BS EN 55032

Immunity

- EN 55035
- BS EN 55035

Electrical Spec

Input					
Description	Min.	Typ.	Max.	Units	Comment
Voltage	90	100~240	264	Vac	
Frequency	47	50/60	63	Hz	

Environmental					
Description	Min.	Typ.	Max.	Units	Comment
Operating Temperature	0	-	40	°C	Free Convection,Sea Level
Storage Temperature	-20	-	65	°C	Free Convection,Sea Level
Operating Humidity	5	-	95	%RH	No Condensing
Storage Humidity	5	-	95	%RH	No Condensing

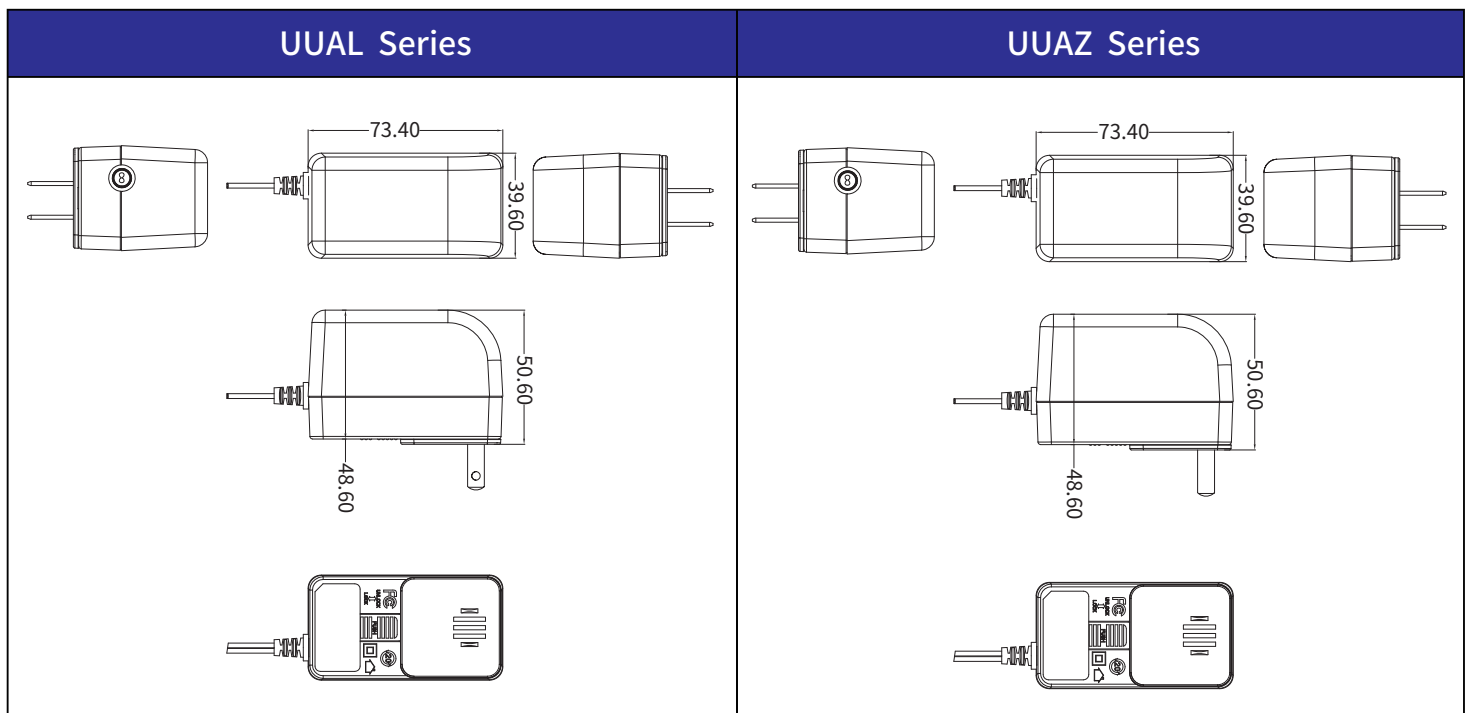
Typical model list

No.	DC Output Voltage	DC Output Current	Output Voltage Precision	Ripple	Noise	Average Active Efficiency	No-Load Power Consumption	Option/Remark
1	4.2V	3.0A	±5%	150mV	150mV	80.27%	0.1W	
2	5.0V	3.0A	±5%	300mV	300mV	81.38%	0.1W	
3	12.0V	1.5A	±5%	200mV	200mV	85.00%	0.1W	
4	12.0V	2.0A	±5%	200mV	240mV	86.20%	0.1W	
5	24.0V	1.0A	±5%	240mV	240mV	86.20%	0.1W	

■ Measurement Condition

1. Measurements shall be made with an oscilloscope with 20MHz bandwidth.
2. Outputs shall be bypassed at the connector with a 0.1uF ceramic disk capacitor and a 10uF electrolytic capacitor to simulate system loading.

Mechanical Spec



UUAE Series	UUAR Series
UUAK Series	UUA Series

— the following blank —

■ Please contact our sales department for details of each model ■