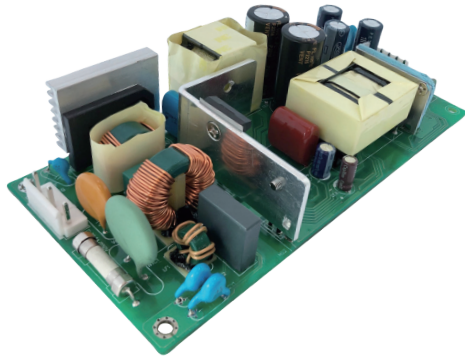


UUHP 150W Series

Industrial Power Supply
Peak Power
Compact 3" × 6.3"



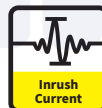
▲ UUHP150 series



▲ UUHP150 series with chassis and cover

CB CE UK CA FC

■ Please contact our sales department for safety standard of each model.



Model Name Definition

UUHP 150 -

① ② ③ ④ ⑤

- ① Developed by UNIFIVE
- ② Series Code
- ③ Output Power (W)
- ④ Input Voltage (V)
- ⑤ Function Description (multiple digits)
 - S: standard version
 - CS: w/ chassis and cover
 - R: w/ remote ON/OFF
 - CR: w/ chassis, cover, and remote ON/OFF

Product Highlights

- Stability
- Energy and High Efficiency
- Appendix 8 of PSE :
comply with dusty requirement
- SEMI F47
Valid if VAC.input > 200V
- 5 years warranty
- Correspond to OVC III (2000m)
- Operating altitude Up to 5,000m
- Suitable for industrial equipment

Protection

- Short Circuit Protection
- Over Voltage Protection
- Over Current Protection
- Over Temperature Protection

Safety Standard

- 62368-1
- 61558-1
- 60335-1
- PSE 別表第八
100V 基準に準拠

Efficiency

- up to 92%

Emissions

- FCC
 - FCC Part15-B
- CE
 - EN(CISPR)55032-B
 - EN(CISPR)55014-B
- BS EN 55032
- BS EN55014-1

Immunity

- EN55035
- BS EN 55035
- EN55014-2
- BS EN55014-2

The above specifications include the following test standards

- ✓ EN61000-4-2
- ✓ EN61000-4-3
- ✓ EN61000-4-4
- ✓ EN61000-4-5
- ✓ EN61000-4-6
- ✓ EN61000-4-8
- ✓ EN61000-4-11

more detail on next page

UUHP150 Series					
Model		UUHP150-24S	UUHP150-36S	UUHP150-48S	
Output Wattage Max (Peak Wattage Max) (W) ※1		150W (300W)			
DC Output*1	Convection	24.0V / 6.3A (12.6A)	36.0V / 4.2A (8.4A)	48.0V / 3.2A (6.4A)	
Specification					
Input	Voltage (V _{ac})		100/240 (85-264)		
	Current (A)	ACIN 100V	2.0		
		ACIN 200V	1.0		
	Frequency (Hz)		50/60 (47-63)		
	Efficiency (%)	ACIN 100V	90.0	90.5	91.0
		ACIN 200V	92.0	92.5	93.0
	Power Factor	ACIN 100V	0.99		
		ACIN 200V	0.93		
Inrush Current (A)	ACIN 100V	30 Typ. (I _o =100%) Ta=25°C at cold start			
	ACIN 200V	60 Typ. (I _o =100%) Ta=25°C at cold start			
Leakage Current (mA _{max})		0.4/0.75 (ACIN 100V/240V 60Hz, I _o =100%, According to IEC60950-1, IEC62368-1 and DEN-AN)			
Output	Voltage (V)		24.0	36.0	48.0
	Current (A)		6.3 (12.6)	4.2 (8.4)	3.2 (6.4)
	Line Regulation (mV _{max})		96	144	192
	Load Regulation (mV _{max})		150	240	240
	Ripple (mVp-p) (0°C to +50°C) ※2		250	250	250
	Ripple (mVp-p) (-10°C to 0°C) ※2		310	310	310
	Noise (mVp-p) (0°C to +50°C) ※2		290	290	290
	Noise (mVp-p) (-10°C to 0°C) ※2		330	330	330
	Temperature Regulation (mV _{max})	0 to +50°C	240	360	480
		-10 to +50°C	290	450	600
	Drift (mV _{max}) ※3		96	144	192
	Start Up Time (ms)		350 Typ. (ACIN 100V, I _o =100%) Ta=25°C		
	Hold Up Time (ms)		20 Typ. (ACIN 100V, I _o =100%) Ta=25°C		
	Output Voltage Setting (V)		24.0 to 24.96	36.0 to 37.44	48.0 to 49.92
	Output Voltage Variable Range (V)		22.8 to 26.4	34.2 to 39.6	45.6 to 52.8
	Over Current Protection		Over 101% of Peak Current; Latch Off		
	Over Voltage Protection (V) (Latch Off)		27.6 to 33.6	41.4 to 50.0	55.2 to 63.0
Short Protection		Auto recovery			
Remote On /Off		Model -R、-CR support remote function			
Isolation	Input-Output · RC		AC4,000V 1 minute, Cutoff Current = 10mA (at 25°C)		
	Input-FG		AC2,000V 1 minute, Cutoff Current = 10mA (at 25°C)		
	Output · RC-FG		DC500V 1 minute, Cutoff Current = 25mA (at 25°C)		
Operating Temperature / Humidity / Altitude		-10°C~70°C / 20%RH~90%RH / 5000m max / Non condensing			
Storage Temperature / Humidity		-20°C~75°C / 20%RH~90%RH / Non condensing			
Vibration		10 - 55Hz, 19.6m/s ² (2G), 3 minutes period, 60 minutes each along X, Y and Z axis			
Impact		JIS-C-0041 half sin wave, 300 m/s ² , 6ms, 3 times each X, Y, and Z axis (196.1m/s ² (20G), 11ms, Once Each X, Y and Z Axis)			
Safety		IEC/EN 62368-1, C-UL (equivalent to CAN / CSA-C22.2No.62368-1), MEET EN60335-1, EN61558-1, complies with DEN-AN, OVC III standard			
EMC		FCC Part15-B, EN(CISPR)55032-B, EN(CISPR)55014-B			
Harmonic Attenuator		Complies with IEC61000-3-2			
Size		160(L)×75(W)×36.5(H)mm / with chassis and cover: 188(L)×85(W)×47(H)mm			
Cooling Method		Convection			

※1 Power supply can be operated in condition of peak load 300W for 10 seconds and the duty is less than 0.5. (Please refer to User Manual)

※2 Parallel a 22uF Aluminum Electrolytic Capacitor and 0.1uF ceramics capacitor at the test point. The position of test point is 150mm from output terminal to system load. The bandwidth of oscilloscope is 20MHz. (Please refer to User Manual)

※3 Drift is the change in DC output for an eight hour period after a half-hour warm-up at 25C, with the input voltage held constant at the rated input / output.

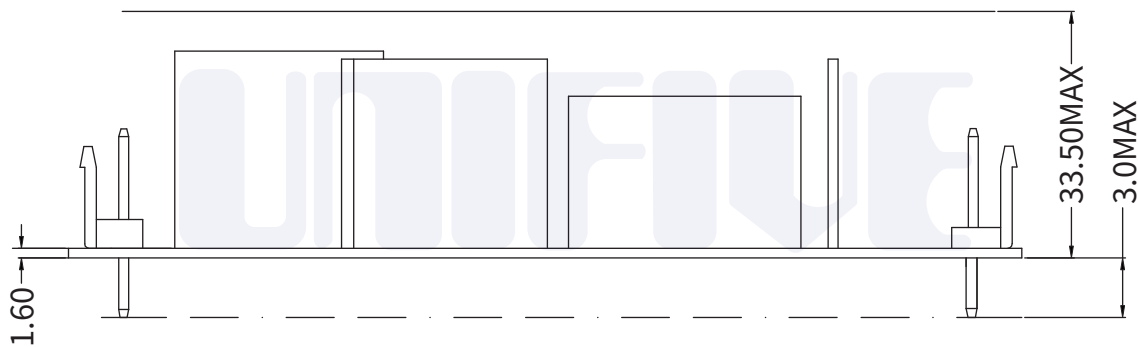
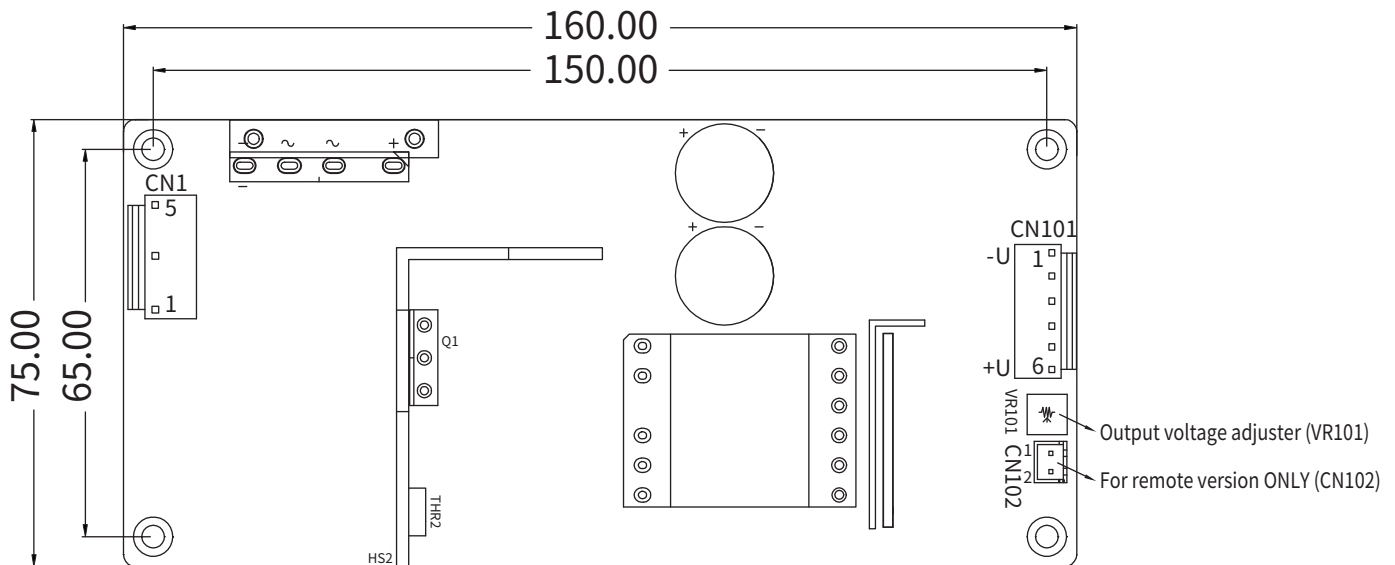
※ When the specification is exceeded, it may cause a possibility that the components be damaged.

※ Sound noise may be generated by power supply in case of pulse load.

※ When the output load is less than 10% of the rated current, the corresponding actions reduce energy loss, output ripples may occur in the pulse waves.

※ If you have question, please contact us.

UUHP150 Series



Mounting Holes : 4-Ø3.50

TOLERANCE: ±0.5
Unit:mm

CN1

PIN NUMBER	INPUT
1	AC(L)
2	
3	AC(N)
4	
5	FG

CN101

PIN NUMBER	OUTPUT
1	-V
2	-V
3	-V
4	+V
5	+V
6	+V

CN102

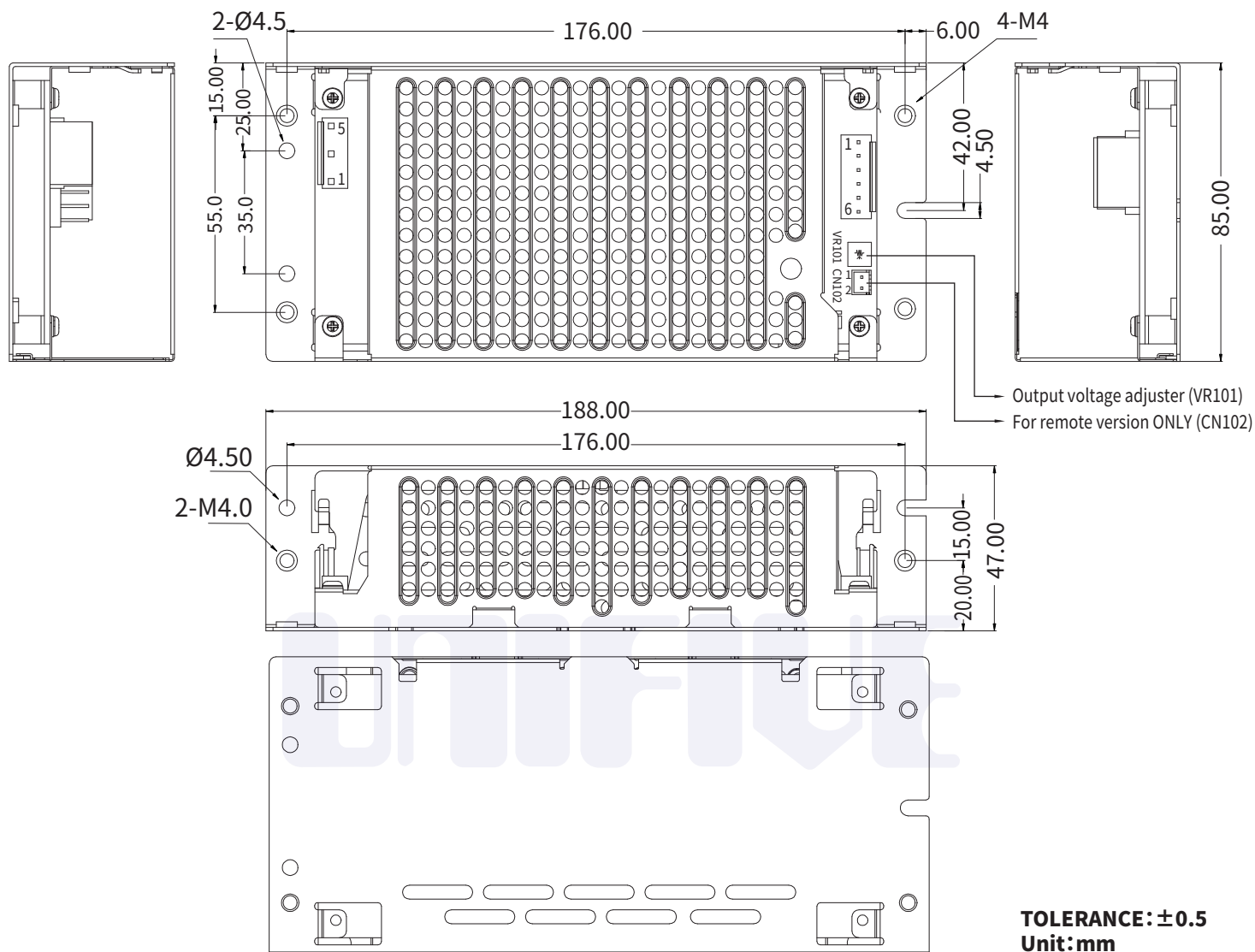
PIN NUMBER	REMOTE
1	RC(+)
2	RC(-)

I/O Connector	Mating connector	Terminal	Mfr.
CN1	5P-VH-B*	VHR-5N	Chain SVH-21T-P1.1
			Loose BVH-21T-P1.1
CN101	B6P-VH*	VHR-6N	Chain SVH-21T-P1.1
			Loose BVH-21T-P1.1

Connector	Mating connector	Terminal	Mfr.
CN102	B2B-XH-A*	XHP-2	Chain SXH-001T-P0.6
			Loose BXH-001T-P0.6

*It may be replaced with the same level substitution.

UUHP150 series with chassis and cover



TOLERANCE: ±0.5
Unit: mm

CN1

PIN NUMBER	INPUT
1	AC(L)
2	
3	AC(N)
4	
5	FG

CN101

PIN NUMBER	OUTPUT
1	-V
2	-V
3	-V
4	+V
5	+V
6	+V

CN102

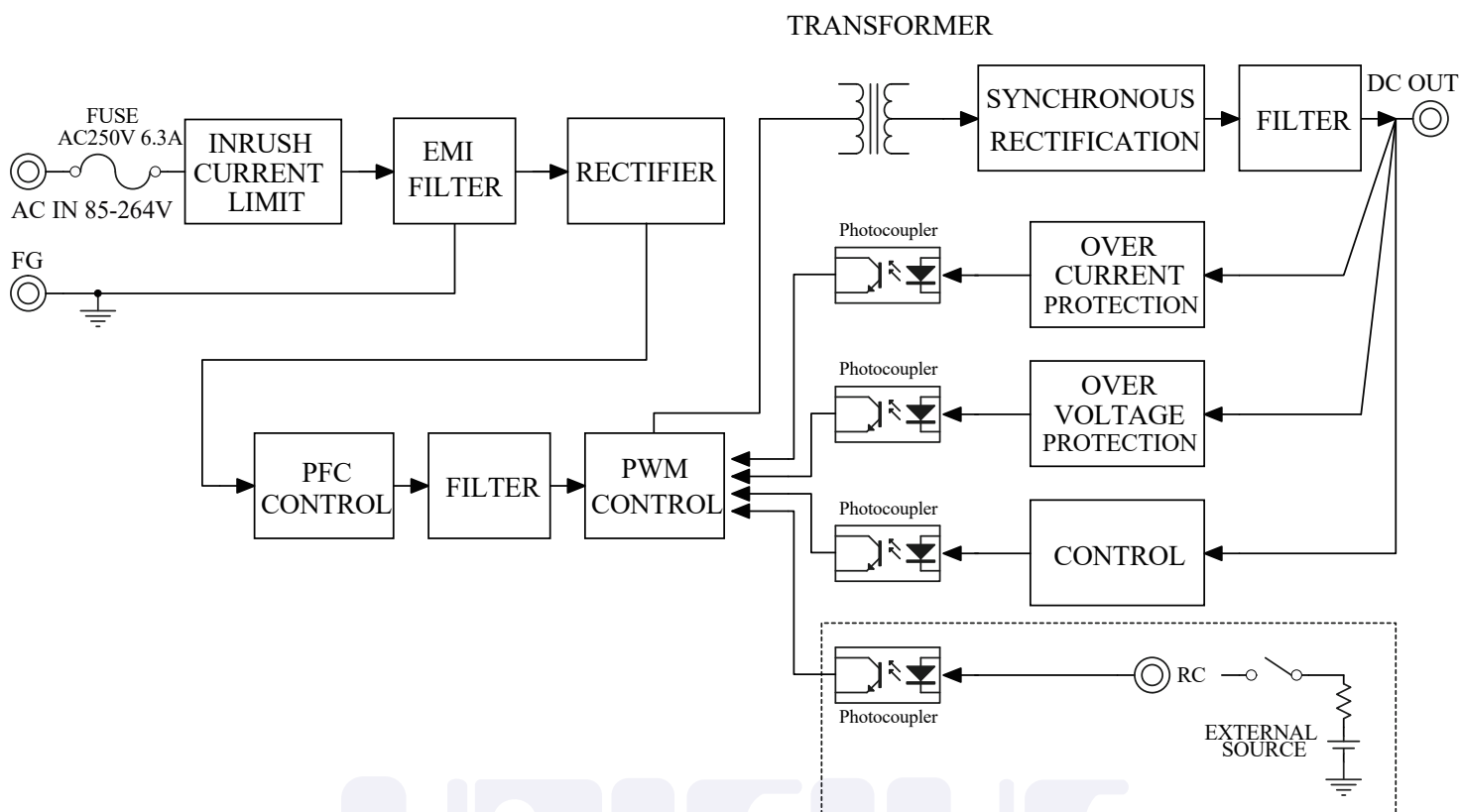
PIN NUMBER	REMOTE
1	RC(+)
2	RC(-)

I/O Connector	Mating connector	Terminal	Mfr.
CN1	5P-VH-B*	VHR-5N	J.S.T.
		Chain	
CN101	B6P-VH*	VHR-6N	
		Chain	
		Loose	BVH-21T-P1.1

Connector	Mating connector	Terminal	Mfr.
CN102	B2B-XH-A*	XHP-2	J.S.T.
		Chain	
		Loose	BXH-001T-P0.6

*It may be replaced with the same level substitution.

Block diagram



the following blank

Please refer to catalog and User Manual before use.

■ Please contact our sales department for details of each model ■