

# UNVG 45W Series

I.C.T./AV AC/DC Adaptor  
Compact Design  
GaN Mosfet Technology



▲ UNVGU3045



▲ UNVGL3045



▲ UNVGE3045



▲ UNVGZ3045



▲ UNVGA3045



▲ UNVGK3045



▲ UNVGR3045



▲ UNVGF3045



▲ UNVGG3045



Please contact our sales department for safety standard of each model.

## Product Highlights

- Stability
- Energy and High Efficiency
- Small size
- Light weight
- Suitable for audio, video, information and communications technology equipment

## Efficiency

- Energy Efficiency Level VI ( ErP / DoE )
- Meet Commission Regulation(EU) 2019/1782
- Meet DOE 10 CFR part 429 and 430
- Meet DOE VII Draft

## Protection

- Short Circuit Protection
- Over Voltage Protection
- Over Current Protection
- Over Temperature Protection

## Emissions

- FCC
  - FCC Part15-B
- CE
  - EN(CISPR)55032-B
- VCCI-B
- BS EN 55032

## Safety Standard

- 62368-1
- PSE 別表第八

## Immunity

- EN55035
  - BS EN 55035
- The above specifications include the following test standards
- ✓ EN61000-4-2
  - ✓ EN61000-4-3
  - ✓ EN61000-4-4
  - ✓ EN61000-4-5
  - ✓ EN61000-4-6
  - ✓ EN61000-4-8
  - ✓ EN61000-4-11

# Electrical Spec

Input					
Description	Min.	Typ.	Max.	Units	Comment
Voltage	90	100~240	264	Vac	
Frequency	47	50/60	63	Hz	

Environmental					
Description	Min.	Typ.	Max.	Units	Comment
Operating Temperature	0	-	40	°C	Free Convection, Sea Level
Storage Temperature	-20	-	65	°C	Free Convection, Sea Level
Operating Humidity	5	-	95	%RH	No Condensing
Storage Humidity	5	-	95	%RH	No Condensing

## Typical model list

Model Name	DC Output Voltage	DC Output Current	Output Voltage Precision	Ripple	Noise	Average Active Efficiency	No-Load Power Consumption	Option / Remark
UNVGx3045-120038SA	12.0V	3.8A	±5%	150mV	200mV	87.74%	0.1W	
UNVGx3045-150030SA	15.0V	3.0A	±5%	150mV	240mV	87.73%	0.1W	
UNVGx3045-190024SA	19.0V	2.4A	±5%	240mV	240mV	87.74%	0.1W	
UNVGx3045-240020SA	24.0V	2.0A	±5%	240mV	240mV	87.77%	0.1W	
UNVGx3045-480940SA	48.0V	0.94A	±5%	300mV	300mV	87.73%	0.1W	

■ Measurement Condition

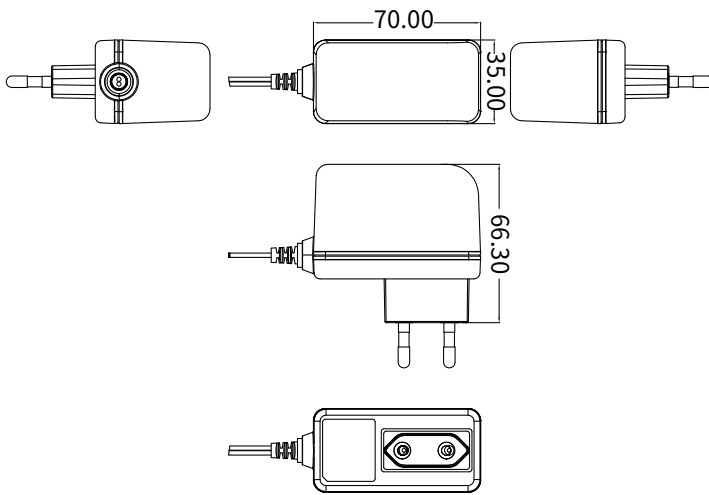
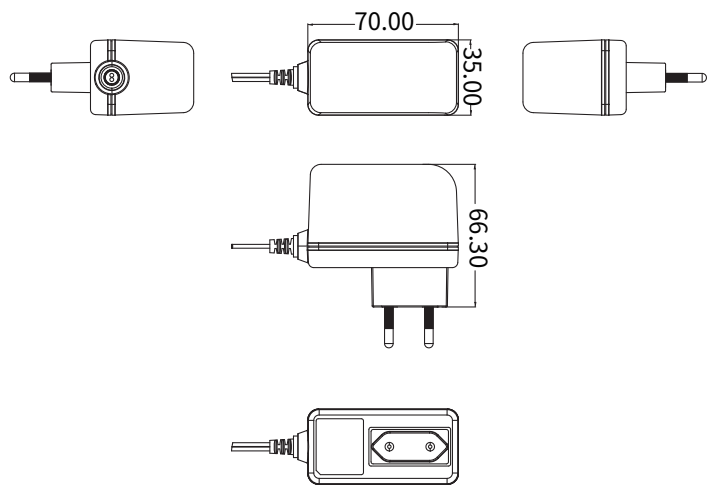
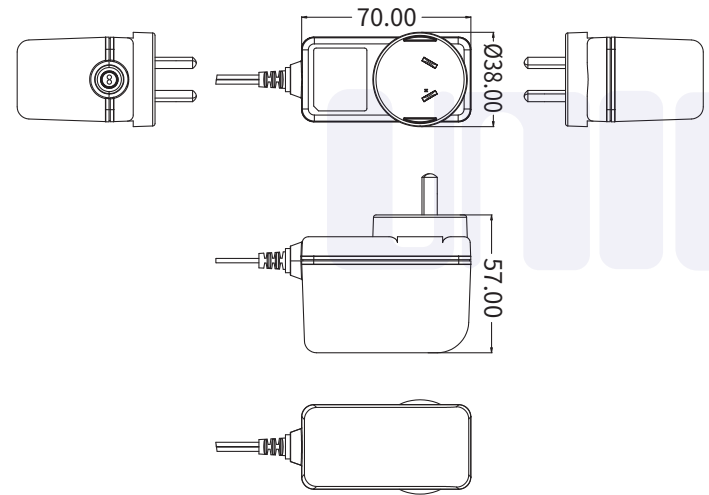
1. Measurements shall be made with an oscilloscope with 20MHz bandwidth.
2. Outputs shall be bypassed at the connector with a 0.1uF ceramic disk capacitor and a 10uF electrolytic capacitor to simulate system loading.

————— the following blank —————

Mechanical Spec

UNVGU3045 Series	UNVGL3045 Series
<p>Mechanical drawings of the UNVGU3045 Series. The top row shows front, side, and rear views with dimensions 70.00 (width), 35.00 (height), and 48.00 (depth). The middle row shows a side view with a depth dimension of 48.00. The bottom row shows a rear view.</p>	<p>Mechanical drawings of the UNVGL3045 Series. The top row shows front, side, and rear views with dimensions 70.00 (width), 35.00 (height), and 48.00 (depth). The middle row shows a side view with a depth dimension of 48.00. The bottom row shows a rear view.</p>
UNVGE3045 Series	UNVGZ3045 Series
<p>Mechanical drawings of the UNVGE3045 Series. The top row shows front, side, and rear views with dimensions 70.00 (width), 35.00 (height), and 66.30 (depth). The middle row shows a side view with a depth dimension of 66.30. The bottom row shows a rear view.</p>	<p>Mechanical drawings of the UNVGZ3045 Series. The top row shows front, side, and rear views with dimensions 70.00 (width), 35.00 (height), and 48.00 (depth). The middle row shows a side view with a depth dimension of 48.00. The bottom row shows a rear view.</p>
UNVGA3045 Series	UNVGK3045 Series
<p>Mechanical drawings of the UNVGA3045 Series. The top row shows front, side, and rear views with dimensions 70.00 (width), Ø38.00 (diameter), and 57.00 (depth). The middle row shows a side view with a depth dimension of 57.00. The bottom row shows a rear view.</p>	<p>Mechanical drawings of the UNVGK3045 Series. The top row shows front, side, and rear views with dimensions 70.00 (width), 48.80 (height), and 55.20 (depth). The middle row shows a side view with a depth dimension of 55.20. The bottom row shows a rear view.</p>

Mechanical Spec

UNVGR3045 Series	UNVGF3045 Series
	
UNVGG3045 Series	
	

the following blank

■ Please contact our sales department for details of each model ■