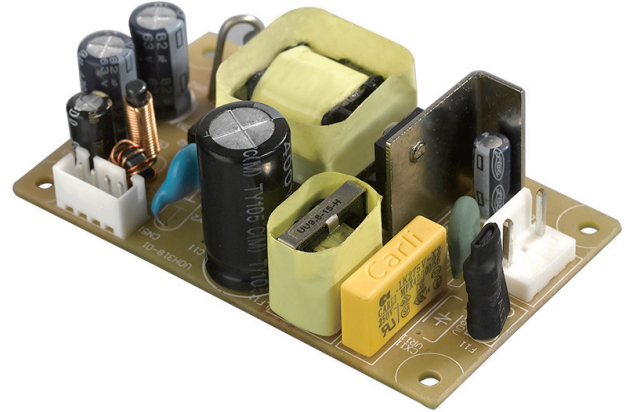


# UOH 15W Series

## Open Frame Switching Power Supply



▲ UOH315



■ Please contact our sales department for safety standard of each model.



### Product Highlights

- Stability
- Ultra Small Size
- Energy efficiency

### Protection

- Short Circuit Protection
- Over Voltage Protection
- Over Current Protection

### Safety Standard

- 60950-1

### Emissions

- CE CISPR 32 EN55032
- FCC Part15 Class B

### Immunity

- EN55024/A1:2001

## Electrical Spec

Input					
Description	Min.	Typ.	Max.	Units	Comment
Voltage	90	100~240	264	Vac	
Frequency	47	50/60	63	Hz	

Environmental					
Description	Min.	Typ.	Max.	Units	Comment
Operating Temperature	0	-	40	°C	Free Convection,Sea Level
Storage Temperature	-20	-	65	°C	Free Convection,Sea Level
Operating Humidity	5	-	95	%RH	No Condensing
Storage Humidity	5	-	95	%RH	No Condensing

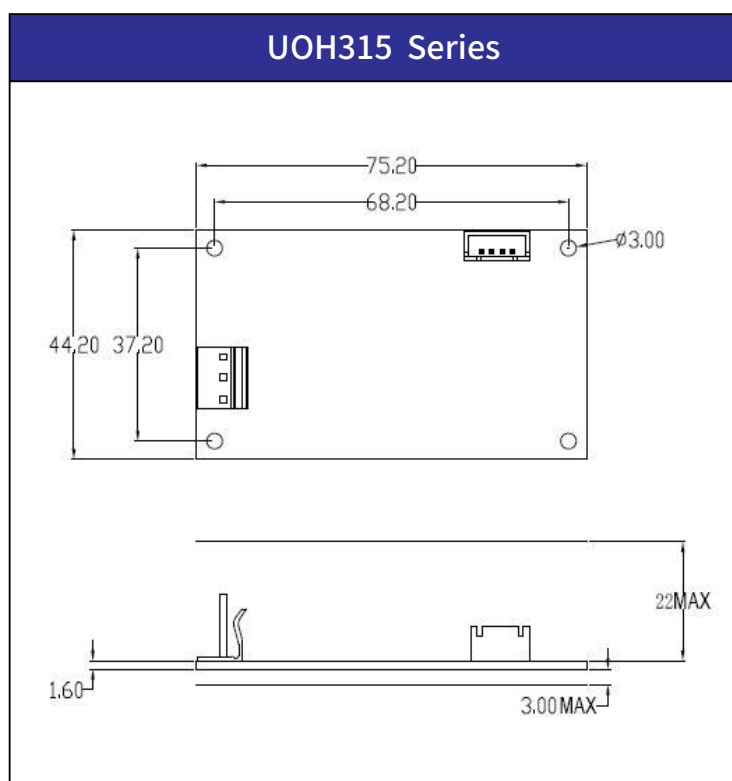
## Typical model list

Output Port	DC Output Voltage	DC Output Current	Output Voltage Precision	Ripple	Noise	Option/Remark
CN2	5.0V	2.5A	±5%	100mV	100mV	

■ Measurement Condition

1. Measurements shall be made with an oscilloscope with 20MHz bandwidth.
2. Outputs shall be bypassed at the connector with a 0.1uF ceramic disk capacitor and a 10uF electrolytic capacitor to simulate system loading.

## Mechanical Spec



■ Please contact our sales department for details of each model ■